

# WBXL / WBXL-F

## CARATTERISTICHE - SPECIFICATIONS

		WBXL	WBXL-F
IN	<b>DIAMETER</b>	3/8 BSP	3/8 BSP
	<b>PRESS.</b>	Min. -0.1 bar - 1.5 PSI	1 bar 15 PSI
		Max. 6 bar 87 PSI	6 bar 87 PSI
<b>TEMP.</b>	Max. 60° C. 140° F.		
<b>OUT</b>	<b>DIAMETER</b>	3/8 BSP	
<b>SHAFT</b>		24 mm	
<b>OIL</b>	SAE 75W 90	0.5 litri	0.13 U.S.G.
<b>PESO WEIGHT</b>	Kg / lbs	6 / 13.2	

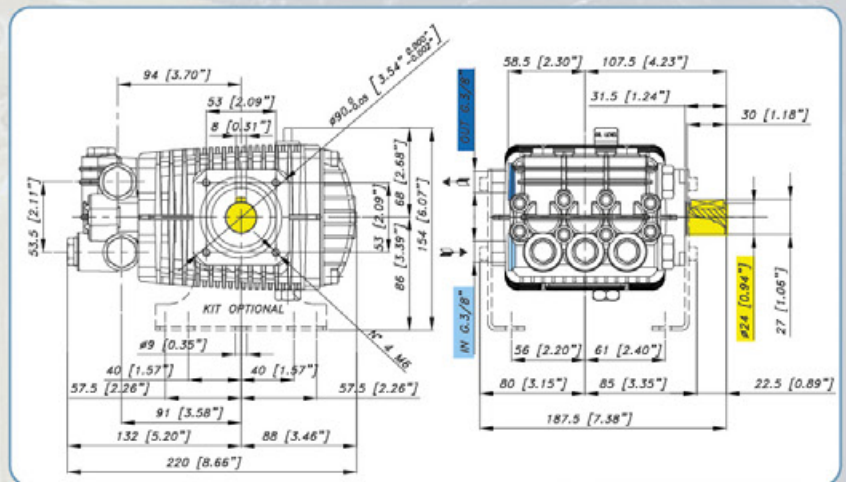


→
R
Dx
Bz
B

OPTIONAL

Sx
F

PIEDINI cod. 02.9829.97.3 (optional)  
 MOUNTING RAILS KIT cod. 02.9829.97.3 (optional)  
 KIT SUPPORTS cod. 02.9829.97.3 (option)  
 JUEGO DE PIES cod. 02.9829.97.3 (opción)



## CARATTERISTICHE - FEATURES

### WBXL 1450 rpm

## PERFORMANCE CHART

CODICE PART NR.	MODELLO MODEL	PRESS MAX / MAX PRESSURE		PORTATA / FLOW		POTENZA / POWER		PIST. PLUNG. Dia. mm	CORSA STROKE mm
		Bar	PSI	L/min	GPM	KW	HP		
02.6013.97.3	WBXL 1316	160	2300	13	3.4	4.0	5.4	18	12.4
02.6014.97.3	WBXL 1320	200	2900	13	3.4	5.0	6.6		

### WBXL-F 2800 rpm

02.6030.97.3	WBXL 1317-F	170	2400	13	3.4	4.0	5.4	15	9.2
02.6031.97.3	WBXL 1320-F	200	2900	13	3.4	4.8	6.4		
02.6033.97.3	WBXL 1416-F	160	2300	14	3.7	4.1	5.6	15	10
02.6034.97.3	WBXL 1420-F	200	2900	14	3.7	5.2	7.0		