

highest state PRECISION OF THE ART customized PRECISION

RB PREMIUM

CARATTERISTICHE - SPECIFICATIONS

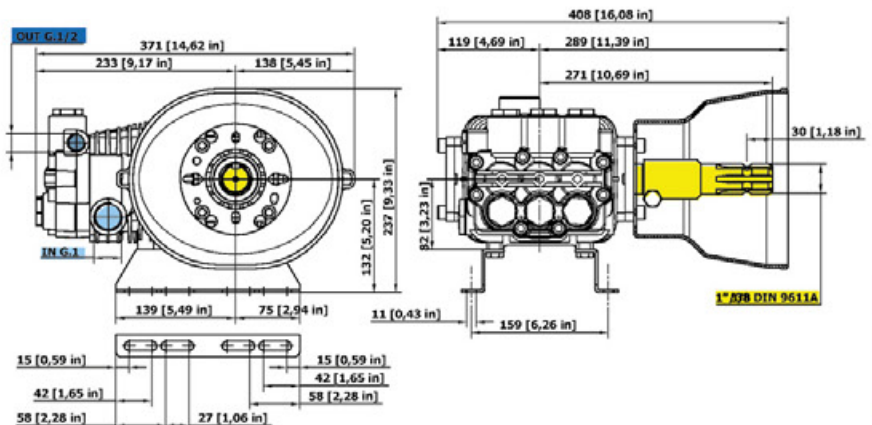
IN	DIAMETER	∅	1" BSP
	PRESS.	Min.	-0.1 bar - 1.5 PSI
		Max.	6 bar 87 PSI
TEMP.	Max.	74° C. 165° F.	
OUT	DIAMETER	∅	1/2 BSP
SHAFT		∅	1" 3/8 DIN 9611A
OIL		SAE 75W90	1.5 litri 0.4 U.S.G.
PESO WEIGHT		Kg / lbs	22 / 48.5



INTELLiseal™



OPTIONAL



CARATTERISTICHE - FEATURES

PERFORMANCE CHART

MODELLO MODEL CODICE PART NR.	MAX		PRESS		RPM 550				RPM 750				RPM 1000				PIST. PLUNG. Dia. mm	CORSA STROKE mm
	L/min	GPM	Bar	PSI	L/min	GPM	KW	HP	L/min	GPM	KW	HP	L/min	GPM	KW	HP		
RB 1719-P 08.1010.97.A	30.0	7.9	150	2175	16.8	4.4	5.0	6.6	22.7	6.0	6.7	9.0	30.0	7.9	8.8	11.8	25	21
			170	2465	16.7	4.4	5.6	7.5	22.6	6.0	7.5	10.1	29.8	7.9	10.0	13.3		
			190	2755	16.6	4.4	6.2	8.3	22.5	5.9	8.4	11.2	29.7	7.8	11.1	14.8		
RB 2019-P 08.1011.97.A	35.7	9.4	150	2175	20.0	5.3	5.9	7.9	27.0	7.1	8.0	10.7	35.7	9.4	10.5	14.1	25	25
			170	2465	19.9	5.3	6.6	8.9	26.9	7.1	9.0	12.0	35.5	9.4	11.9	15.9		
			190	2755	19.8	5.2	7.4	9.9	26.8	7.1	10.0	13.4	35.3	9.3	13.2	17.7		