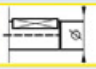
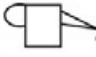



# highest quality CUSTOMER DRIVEN highest quality PRECISION ENGINEERING

# THY 2715

POMPA PER MOTORE IDRAULICO - PUMP FOR HYDRAULIC MOTOR  
 POMPE POUR MOTEUR HYDRAULIQUE - BOMBA PARA MOTOR HIDRÁULICO

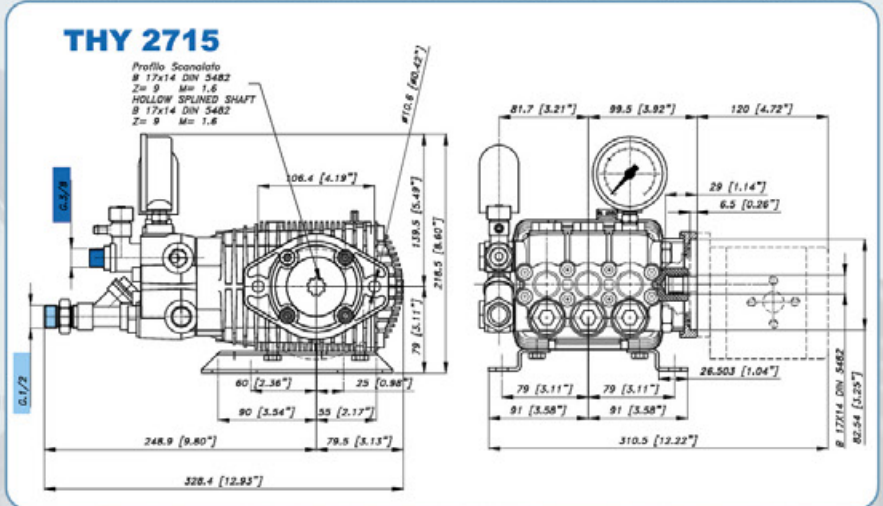
## CARATTERISTICHE - SPECIFICATIONS

		WHY	
IN	<b>DIAMETER</b>	∅ 1/2 BSP (PUMP) 1/2 BSP (VALVE)	
	<b>PRESS.</b>	Min.	1 bar 15 PSI
		Max.	6 bar 87 PSI
<b>TEMP.</b>	Max.	60° C. 140° F.	
<b>OUT</b>	<b>DIAMETER</b>	∅	3/8 BSP
<b>SHAFT</b>		∅	HOLLOW 14X17 DIN 5482
<b>OIL</b>		SAE 75W 90	0.7 Litri 0.18 U.S.G.
<b>PESO WEIGHT</b>		Kg lbs	10.9/24 (PUMP) 15.5/34.1 (MOTOR PUMP)
<b>PISTONE PLUNG.</b>	<b>DIAMETER</b>	mm	20
<b>CORSA STROKE</b>		mm	18

KIT ACCESSORI - ACCESSORIES KIT - KIT ACCESSOIRES - KIT ACCESORIOS (OPTIONAL)

**02.6198.97.A**

Lancia- Pistola- Ugello - Filtro- Tubo di mandata 5/16" - Lance- Gun- Nozzle - Filter- High pressure hose 5/16"  
 Lance- Pistolet - Buse - Filtre- Flexible H.P. 5/16" - Lanza- Pistola- Boquilla- Filtro- Manguera de alta presión 5/16"



**07.3090.97.3**  
**POMPA PER MOTORE IDRAULICO**  
 (Manometro e kit piedini inclusi)  
**PUMP FOR HYDRAULIC MOTOR**  
 (Pressure gauge and mounting rails kit included)  
**POMPE POUR MOTEUR HYDRAULIQUE**  
 (Equipement fourni: manomètre et kit supports)  
**BOMBA PARA MOTOR HIDRÁULICO**  
 (Manómetro y juego de pies incluidos)

**07.3091.97.3**  
**POMPA CON MOTORE IDRAULICO**  
**HYDRAULIC MOTOR PUMP**  
**POMPE AVEC MOTEUR HYDRAULIQUE**  
**BOMBA CON MOTOR HIDRÁULICO**



## CARATTERISTICHE - FEATURES PERFORMANCE CHART

CODICE PART NR.	MAX		PRESS		RPM 950				RPM 1450				RPM 1725				Oil Pressure (hydraulic motor)	
	L/min	GPM	Bar	PSI	L/min	GPM	KW	HP	L/min	GPM	KW	HP	L/min	GPM	KW	HP	Bar	PSI
THY 2715			100	1450	15.7	4.1	3.1	4.1	23.4	6.2	4.6	6.2	27.0	7.1	5.3	7.1	60	870
07.3090.97.3	27.0	7.1	125	1813	15.6	4.1	3.8	5.1	23.3	6.2	5.7	7.7	26.9	7.1	6.6	8.9	90	1305
07.3091.97.3			150	2175	15.5	4.1	4.6	6.1	23.2	6.1	6.8	9.2	26.8	7.1	7.9	10.6	100	1450
					22	5.8			32	8.4			38	10				

PORTATA OLIO MOTORE IDRAULICO  
 HYDRAULIC MOTOR OIL FLOW