

# highest state PRECISIONAL QUALITY OF THE ART highest customized TTL QUALITY PRECISION

## CARATTERISTICHE - SPECIFICATIONS

IN	DIAMETER	∅	3/4 BSP
	PRESS.	Min.	-0.1 bar - 1.5 PSI
		Max.	6 bar 87 PSI
TEMP.	Max.	74° C. 165° F.	
OUT	DIAMETER	∅	3/8 BSP
SHAFT		∅	24 mm
OIL		SAE 75W90	1.3 litri 0.34 U.S.G.
PESO WEIGHT		Kg lbs	14.2 / 31.2



FLANGIA CON GIUNTO ELASTICO PER MOTORI IDRAULICI (vedi pag. 76)

BRIDE AVEC ACCOUPLEMENT ELASTIQUE POUR MOTEURS HYDRAULIQUES (voir page 76)

BELL HOUSING + FLEXIBLE COUPLING FOR HYDRAULIC MOTORS (see page 76)

BRIDA CON JUNTA ELÁSTICA PARA MOTORES HIDRÁULICOS (véase pág. 76)



INTELLiseal™



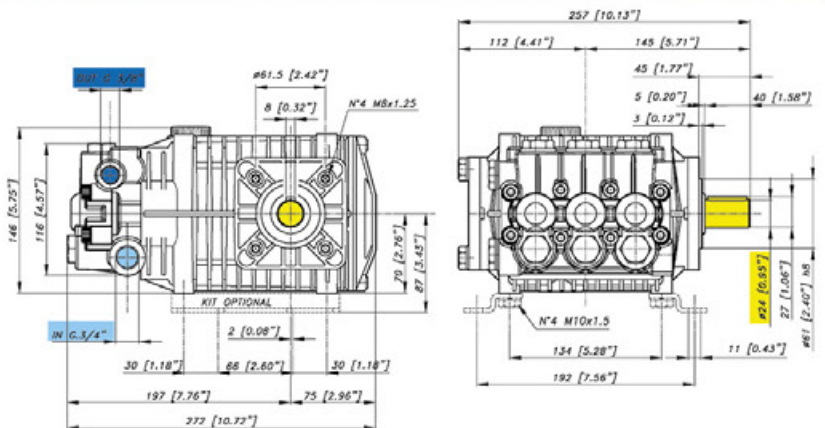
Dx R B T

OPTIONAL

F Sx G M

INTELLiseal HW™

KIT PIEDINI cod. 05.9890.97.3 (optional)  
MOUNTING RAILS KIT cod. 05.9890.97.3 (optional)  
KIT SUPPORTS cod.05.9890.97.3 (option)  
JUEGO DE PIES cod. 05.9890.97.3 (opción)



## CARATTERISTICHE - FEATURES

## PERFORMANCE CHART

MODEL PART NR.	MAX		PRESS		RPM 950				RPM 1450				RPM 1725				PIST. CORSA PLUNG. STROKE	
	L/min	GPM	Bar	PSI	L/min	GPM	KW	HP	L/min	GPM	KW	HP	L/min	GPM	KW	HP	Dia. mm	mm
TTL 1320 06.2059.97.3	15.1	4.0	150	2175	8.5	2.2	2.5	3.4	12.8	3.4	3.8	5.1	15.1	4.0	4.4	6.0	20	10
			180	2610	8.4	2.2	3.0	4.0	12.8	3.4	4.5	6.0	15.0	4.0	5.3	7.1		
			210	3045	8.4	2.2	3.5	4.6	12.7	3.4	5.2	7.0	14.9	3.9	6.2	8.3		
TTL 1520 06.2060.97.3	17.7	4.7	150	2175	10.0	2.6	2.9	3.9	15.1	4.0	4.4	5.9	17.7	4.7	5.2	7.0	20	11.7
			180	2610	9.9	2.6	3.5	4.7	15.0	4.0	5.3	7.1	17.7	4.7	6.2	8.4		
			210	3045	9.9	2.6	4.1	5.5	14.9	3.9	6.1	8.2	17.6	4.6	7.2	9.7		
TTL 1820 06.2061.97.3	21.7	5.7	150	2175	12.2	3.2	3.6	4.8	18.5	4.9	5.4	7.3	21.7	5.7	6.4	8.6	20	14.4
			180	2610	12.2	3.2	4.3	5.8	18.4	4.9	6.5	8.7	21.6	5.7	7.6	10.3		
			210	3045	12.1	3.2	5.0	6.7	18.3	4.8	7.5	10.1	21.5	5.7	8.9	11.9		
TTL 2120 06.2062.97.3	24.8	6.5	150	2175	13.9	3.7	4.1	5.5	21.0	5.6	6.2	8.3	24.8	6.5	7.3	9.8	20	16.4
			180	2610	13.8	3.7	4.9	6.6	20.9	5.5	7.4	9.9	24.6	6.5	8.7	11.7		
			210	3045	13.8	3.6	5.7	7.6	20.8	5.5	8.6	11.5	24.5	6.5	10.1	13.6		
TTL 2420 06.2063.97.3	24.4	6.5	150	2175	16.1	4.3	4.7	6.4	24.4	6.4	7.2	9.6	N.D. N.A.	20	19			
			180	2610	16.0	4.2	5.7	7.6	24.2	6.4	8.6	11.5						
			210	3045	16.0	4.2	6.6	8.8	24.1	6.4	9.9	13.3						

highest quality state of the art  
 customized PRECISION OF THE ART  
**TTL**

**CARATTERISTICHE - SPECIFICATIONS**

IN	DIAMETER	$\varnothing$	3/4 BSP
	PRESS.	Min.	-0.1 bar - 1.5 PSI
		Max.	6 bar 87 PSI
TEMP.	Max.	74° C. 165° F.	
OUT	DIAMETER	$\varnothing$	3/8 BSP
SHAFT		$\varnothing$	24 mm
OIL		SAE 75W90	1.3 litri 0.34 U.S.G.
PESO WEIGHT		Kg/lbs	14.2 / 31.2



FLANGIA CON GIUNTO ELASTICO PER MOTORI IDRAULICI (vedi pag.76)     BRIDE AVEC ACCOUPLEMENT ELASTIQUE POUR MOTEURS HYDRAULIQUES (voir pag 76)  
 BELL HOUSING + FLEXIBLE COUPLING FOR HYDRAULIC MOTORS (see page 76)     BRIDA CON JUNTA ELÁSTICA PARA MOTORES HIDRÁULICOS (véase pág. 76)

**INTELLiSeal™**



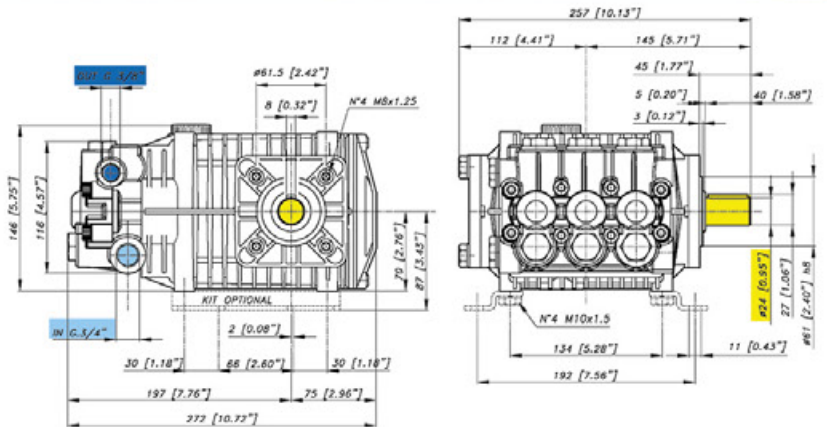
Dx R B T

OPTIONAL

F Sx G M

**INTELLiSeal HW™**

KIT PIEDINI cod. 05.9890.97.3 (optional)  
 MOUNTING RAILS KIT cod. 05.9890.97.3 (optional)  
 KIT SUPPORTS cod. 05.9890.97.3 (option)  
 JUEGO DE PIES cod. 05.9890.97.3 (opción)



**CARATTERISTICHE - FEATURES**

**PERFORMANCE CHART**

MODELLO MODEL CODICE PART NR.	MAX		PRESS		RPM 950				RPM 1450				RPM 1725				PIST. CORSA PLUNG. STROKE	
	L/min	GPM	Bar	PSI	L/min	GPM	KW	HP	L/min	GPM	KW	HP	L/min	GPM	KW	HP	Dia. mm	mm
TTL 1330 06.2041.97.3	15.3	4.0	200	2900	8.6	2.3	3.4	4.5	13.0	3.4	5.1	6.8	15.3	4.0	6.0	8.1	18	10
			250	3625	8.5	2.3	4.2	5.6	12.9	3.4	6.3	8.5	15.2	4.0	7.5	10.0		
			300	4350	8.5	2.2	5.0	6.7	12.9	3.4	7.6	10.2	15.1	4.0	8.9	12.0		
TTL 1530 06.2042.97.3	17.6	4.7	200	2900	9.9	2.6	3.9	5.2	15.0	4.0	5.9	7.9	17.6	4.7	6.9	9.3	18	14.4
			250	3625	9.8	2.6	4.8	6.5	14.9	3.9	7.3	9.8	17.5	4.6	8.6	11.5		
			300	4350	9.8	2.6	5.8	7.7	14.8	3.9	8.7	11.7	17.4	4.6	10.3	13.8		
TTL 1730 06.2043.97.3	20,1	5.3	200	2900	11.3	3.0	4.4	5.9	17.0	4.5	6.7	9.0	20.1	5.3	7.9	10.6	18	16.4
			250	3625	11.2	3.0	5.5	7.4	16.9	4.5	8.3	11.2	20.0	5.3	9.8	13.1		
			300	4350	11.2	2.9	6.6	8.8	16.9	4.5	9.9	13.3	19.9	5.2	11.7	15.7		
TTL 2030 06.2044.97.3	23.2	6.1	200	2900	13.1	3.4	5.1	6.9	19.7	5.2	7.7	10.4	23.2	6.1	9.1	12.2	18	19
			250	3625	13.0	3.4	6.4	8.6	19.6	5.2	9.6	12.9	23.1	6.1	11.4	15.2		
			300	4350	12.9	3.4	7.6	10.2	19.5	5.2	11.5	15.4	23.0	6.1	13.6	18.2		