

highest quality state of the art CUSTOMIZED PRECISION RA PREMIUM

CARATTERISTICHE - SPECIFICATIONS

IN	DIAMETER	Ø	1" BSP
	PRESS.	Min.	-0.1 bar - 1.5 PSI
		Max.	6 bar 87 PSI
TEMP.	Max.	74° C. 165° F.	
OUT	DIAMETER	Ø	3/8 BSP
SHAFT		Ø	30 mm
OIL	SAE 75W90		1.5 litri 0.4 U.S.G.
PESO WEIGHT	Kg lbs		20.8 / 46

TESTATA IN ACCIAIO INOX
STAINLESS STEEL HEAD



INTELLiseal™



OPTIONAL



KIT PIEDINI cod. 08.9829.97.3 (optional)
MOUNTING RAILS KIT cod. 08.9829.97.3 (optional)
KIT SUPPORTS cod. 08.9829.97.3 (option)
JUEGO DE PIES cod. 08.9829.97.3 (opción)

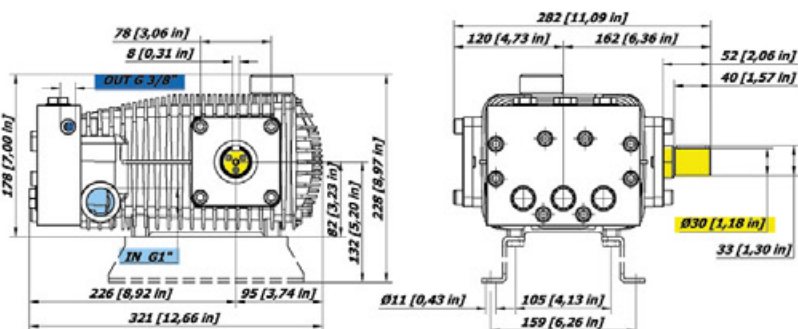


FLANGIA CON GIUNTO ELASTICO
PER MOTORI IDRAULICI
(vedi pag. 76)

BELL HOUSING + FLEXIBLE COUPLING
FOR HYDRAULIC MOTORS
(see page 76)

BRIDE AVEC ACCOUPLEMENT ELASTIQUE
POUR MOTEURS HYDRAULIQUES
(voir page 76)

BRIDA CON JUNTA ELÁSTICA PARA
MOTORES HIDRÁULICOS
(véase pág. 76)



CARATTERISTICHE - FEATURES

PERFORMANCE CHART

MODELLO MODEL CODICE PART NR.	MAX		PRESS		RPM 950				RPM 1450				PIST. PLUNG. Dia. mm	CORSA STROKE mm
	L/min	GPM	Bar	PSI	L/min	GPM	KW	HP	L/min	GPM	KW	HP		
RA 1650-P 08.1070.97.A	15.8	4.2	400	5800	10.5	2.8	8.2	11.0	15.8	4.2	12.4	16.7	20	12.5
			450	6525	10.4	2.8	9.2	12.4	15.8	4.2	13.9	18.7		
			500	7250	10.4	2.7	10.2	13.7	15.7	4.1	15.4	20.7		
RA 1850-P 08.1071.97.A	17.8	4.7	400	5800	11.7	3.1	9.2	12.4	17.8	4.7	13.9	18.7	20	14
			450	6525	11.7	3.1	10.3	13.8	17.7	4.7	15.6	20.9		
			500	7250	11.6	3.1	11.4	15.3	17.6	4.6	17.3	23.1		
RA 2150-P 08.1072.97.A	21.6	5.7	400	5800	14.3	3.8	11.2	15.0	21.6	5.7	16.9	22.7	20	17
			450	6525	14.2	3.7	12.5	16.8	21.4	5.7	19.0	25.4		
			500	7250	14.1	3.7	13.9	18.6	21.3	5.6	21.0	28.1		
RA 2450-P 08.1074.97.A	24.1	6.4	400	5800	15.9	4.2	12.5	16.8	24.1	6.4	18.9	25.4	20	19.5
			450	6525	15.9	4.2	14.0	18.8	24.0	6.3	21.2	28.4		
			500	7250	15.8	4.2	15.5	20.8	23.9	6.3	23.4	31.4		